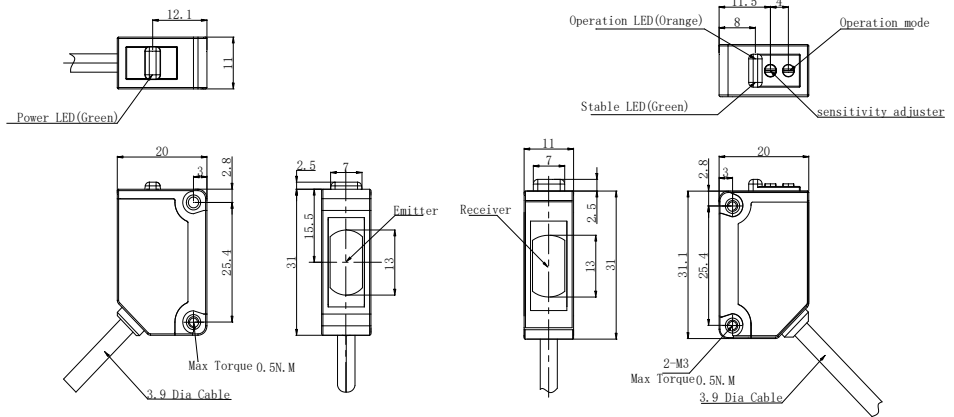




Dimensions



Model

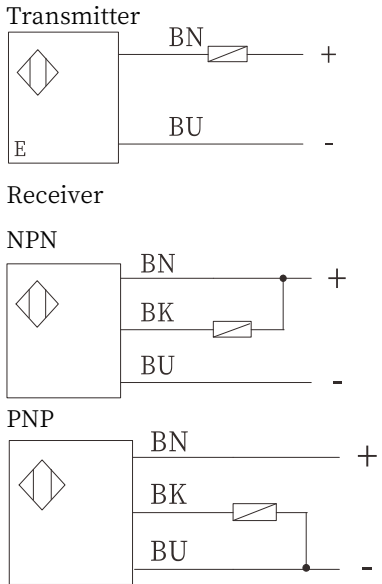
PF31V-T10BNSR(E)
PF31V-T10BPSR(E)

Technical parameters

Product features

- Through beam, 660nm Red LED
- ASIC, Fast response, High frequency
- IEC IP67

Connection



Detection method	Through beam
Model	NPN PF31V-T10BNSR(E) PNP PF31V-T10BPSR(E)
Sensing distance	10m(Adjustable)
Standard target	> Φ15mm (Opaque object)
Output mode	Light ON/Dark ON (Adjustable)
Light source	660nm Red LED
Supply power	DC 12 ~ 24V ±10% , impulse (P-P) < 10%
Directivity angle	3~15°
Residual voltage	< 2V (Load Current: ≤100mA)
Current consumption	< 20mA
Load current	≤100mA
Circuit protection	Power reverse indirection connection protection, short-circuit protection
Response time	< 1ms
Indicator light	Output LED: Orange LED、 Power/stable: Green LED
Connection	Cable 2m
Ambient temperature	Work: -25 ~ +55°C; Store: -30 ~ +70°C ((No dew condensation or icing allowed)
Ambient humidity	Work: 35 ~ 85%RH, Store: 35 ~ 95%RH, (No dew condensation)
Ambient illumination	Sunlight :10,000Lx, lamplight:3,000Lx
Withstand voltage	1000 VAC, 50/60 Hz, 1 min.
Insulation resistance	> 20MΩ (DC500V megger) between current-carrying parts and case
Anti-vibration	10~55Hz double-amplitude 1.5mmX,Y,Z 2h
Impact resistance	500m/s ² X,Y,Z , directions for 3 times
Protection degree	IEC IP67
Material	Housing PBT
	Lens PMMA